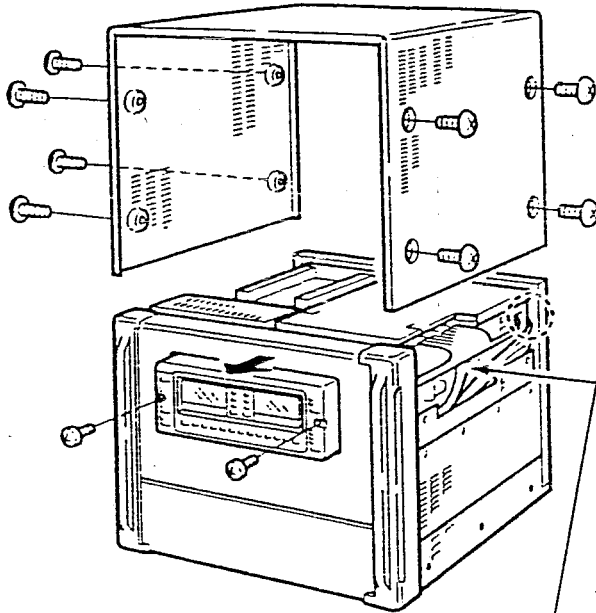


# IC-PW1

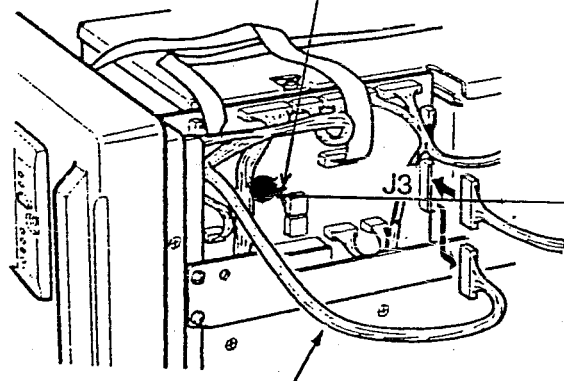
HF/50 MHZ ALL BAND 1KW LINEAR AMPLIFIER  
10 METER CONVERSION

The Icom IC-PW1 Linear Amplifier can be modified to include operation in the 10 meter ham band. This modification requires the removal of diode D18 on the main board.



**MASTER**  
Do Not Remove  
From Tech Support Area

**MASTER**  
Do Not Remove  
From Tech Support Area



D18 LOCATION

Control cable

**MASTER**  
Do Not Remove  
From Tech Support Area

H7 始まる部品は、非実装部品を示す  
 因付の箇所を示す。

GND  
 PAF  
 T13  
 DR24  
 J1N

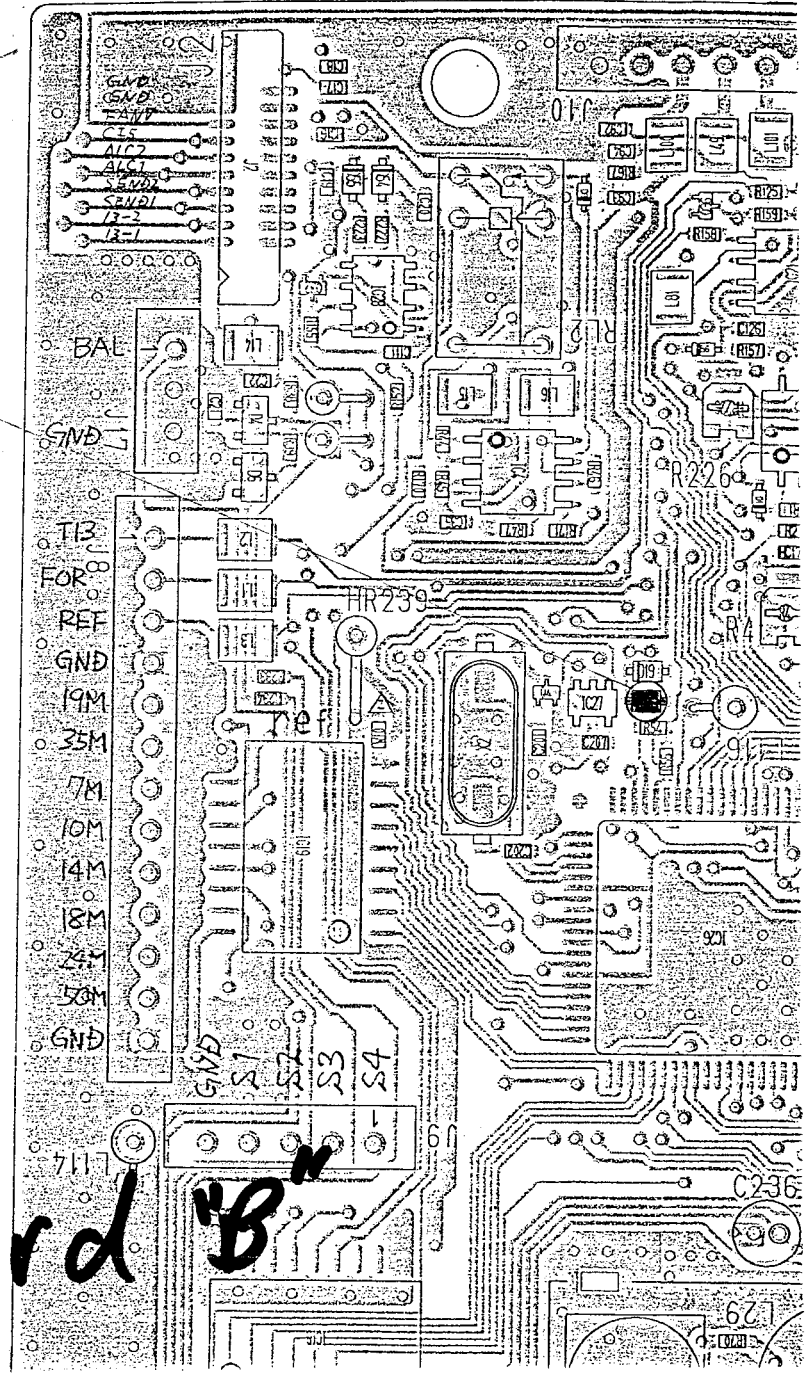
**MASTER**  
 Do Not Remove  
 From Tech Support Area

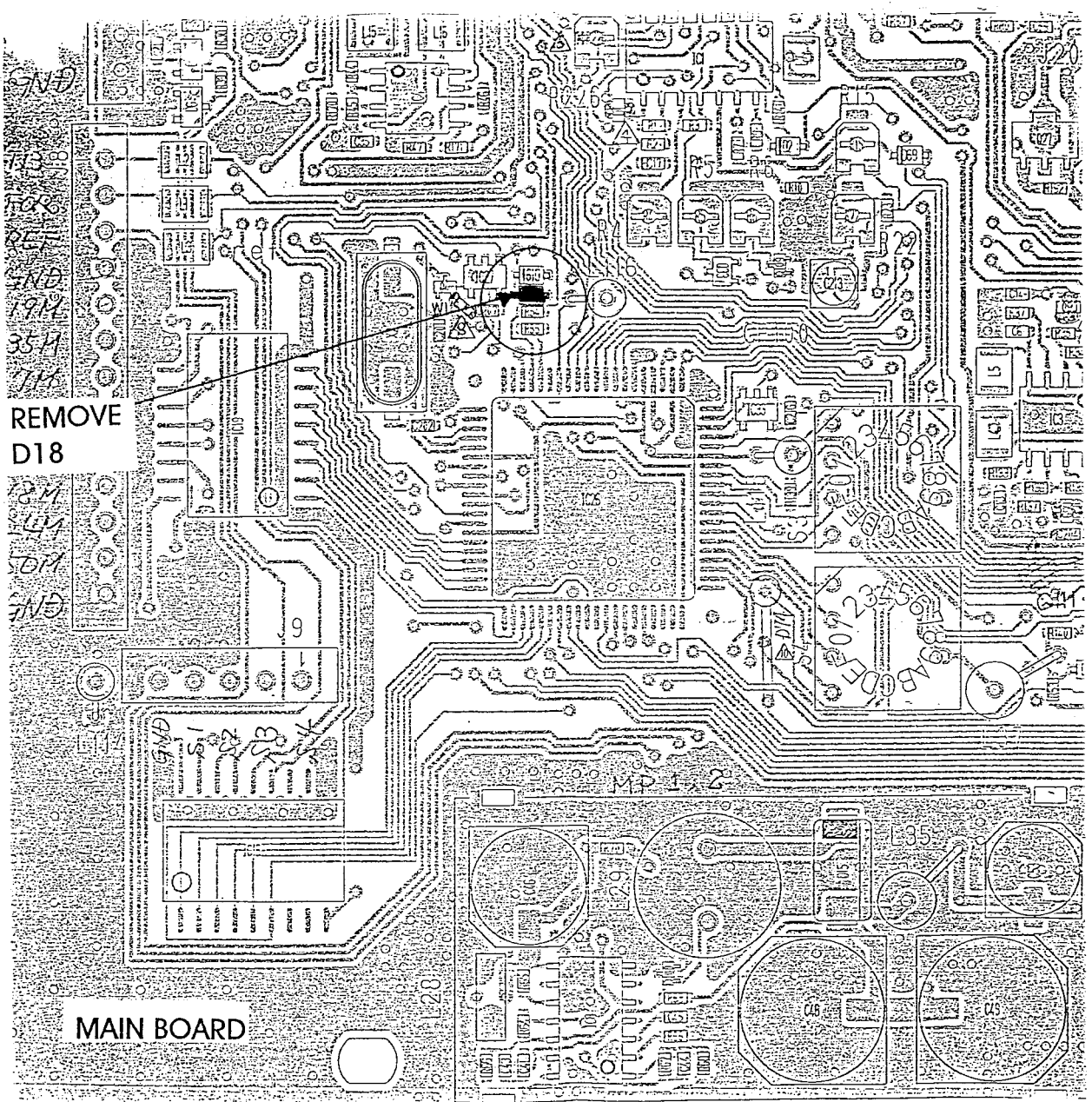
**D18**

TOP VIEW

K	D1, D2, D15, D16, D17, D18, D19, D20, D26, D54, D55, D59, D60, D69
	D4, D6, D23, D24,
K	D8, D56,
	D11, D12, D25, D53, D61, D72, D73
	D13, D14, D62,
	D15, D66,
	D18, D16, Q17, Q19, Q20, Q21, Q22, Q32, Q33, Q30

**Board "B"**





**MASTER**  
Do Not Remove  
From Tech Support Area

*Board "A"*