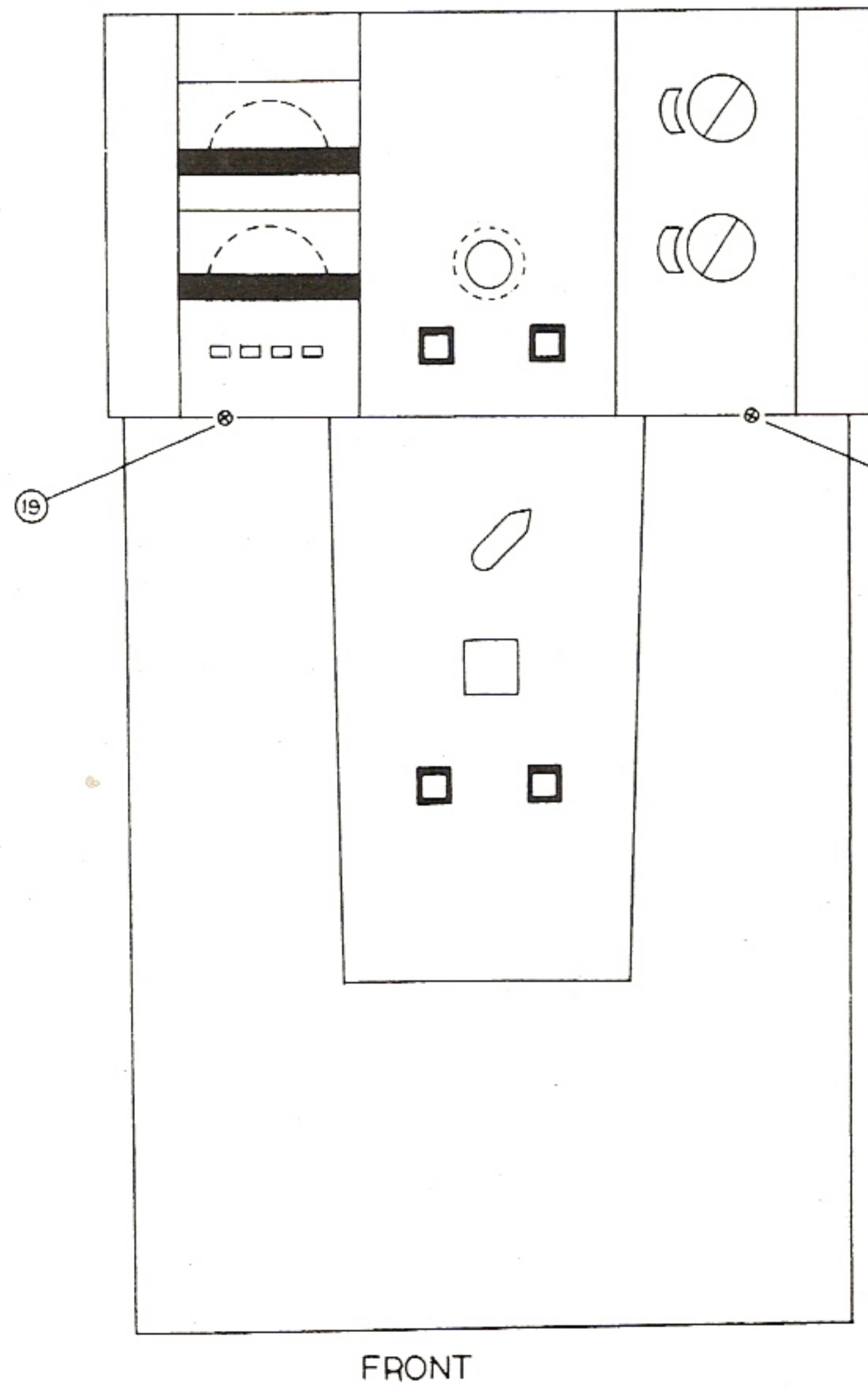
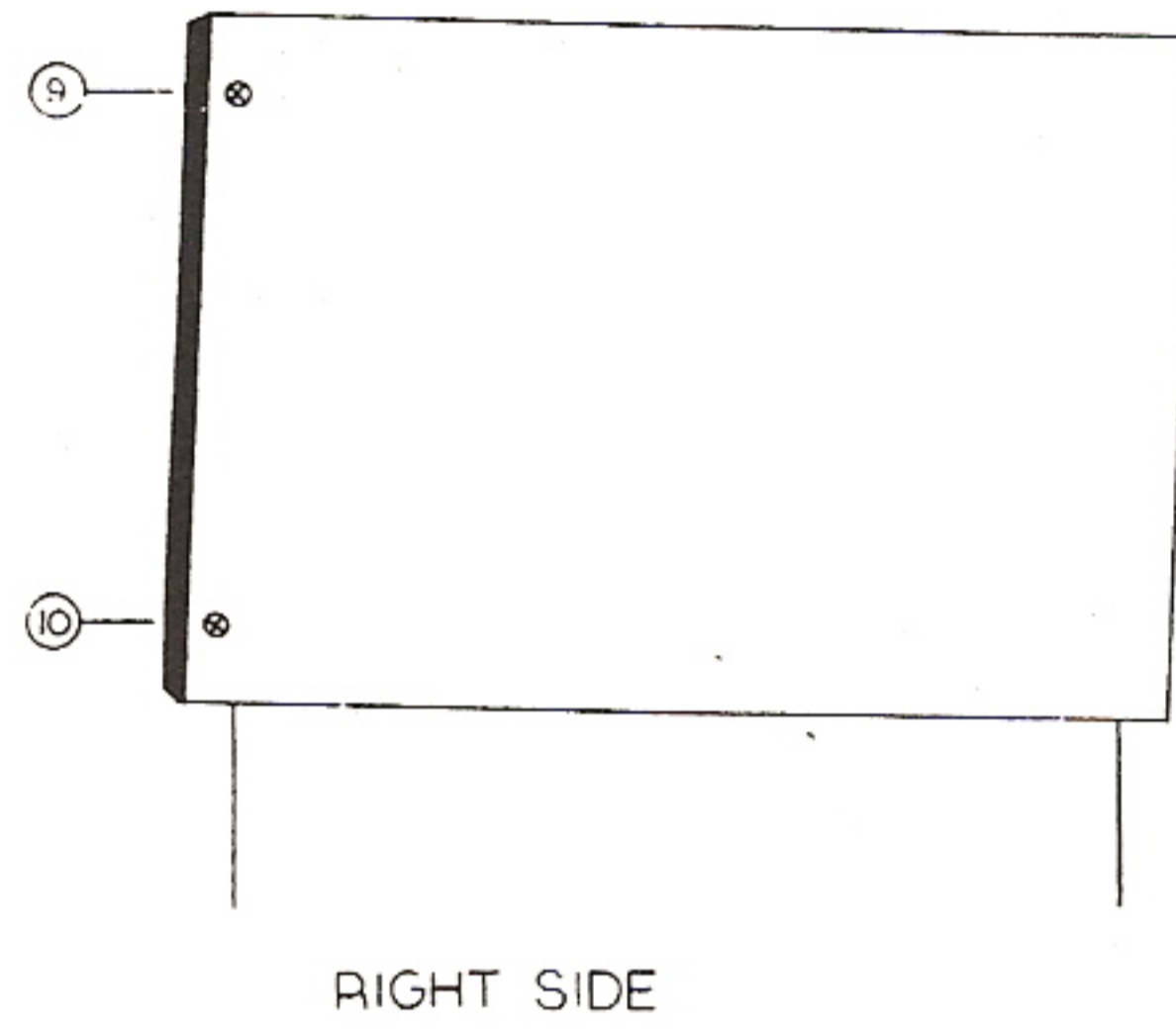
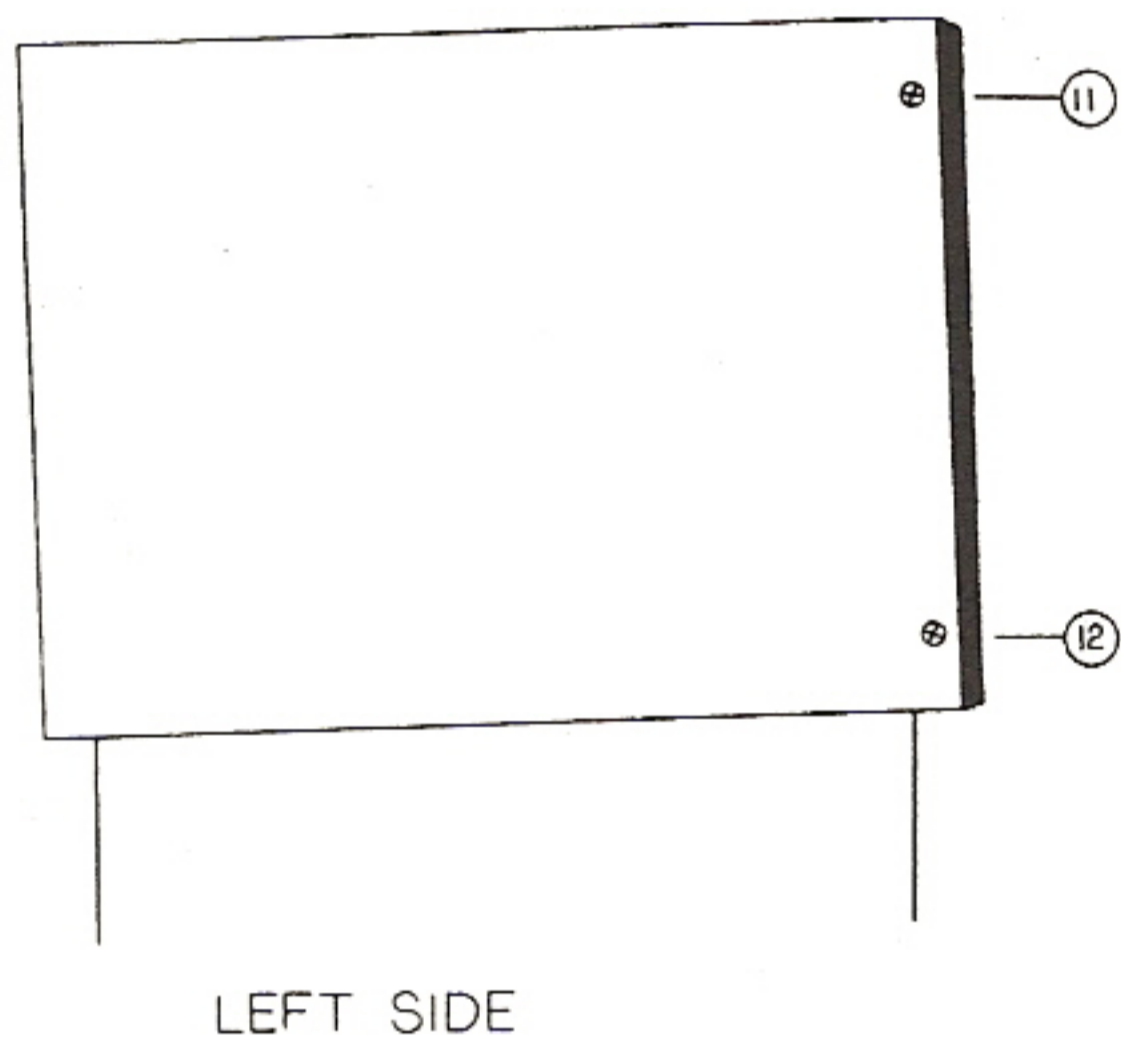
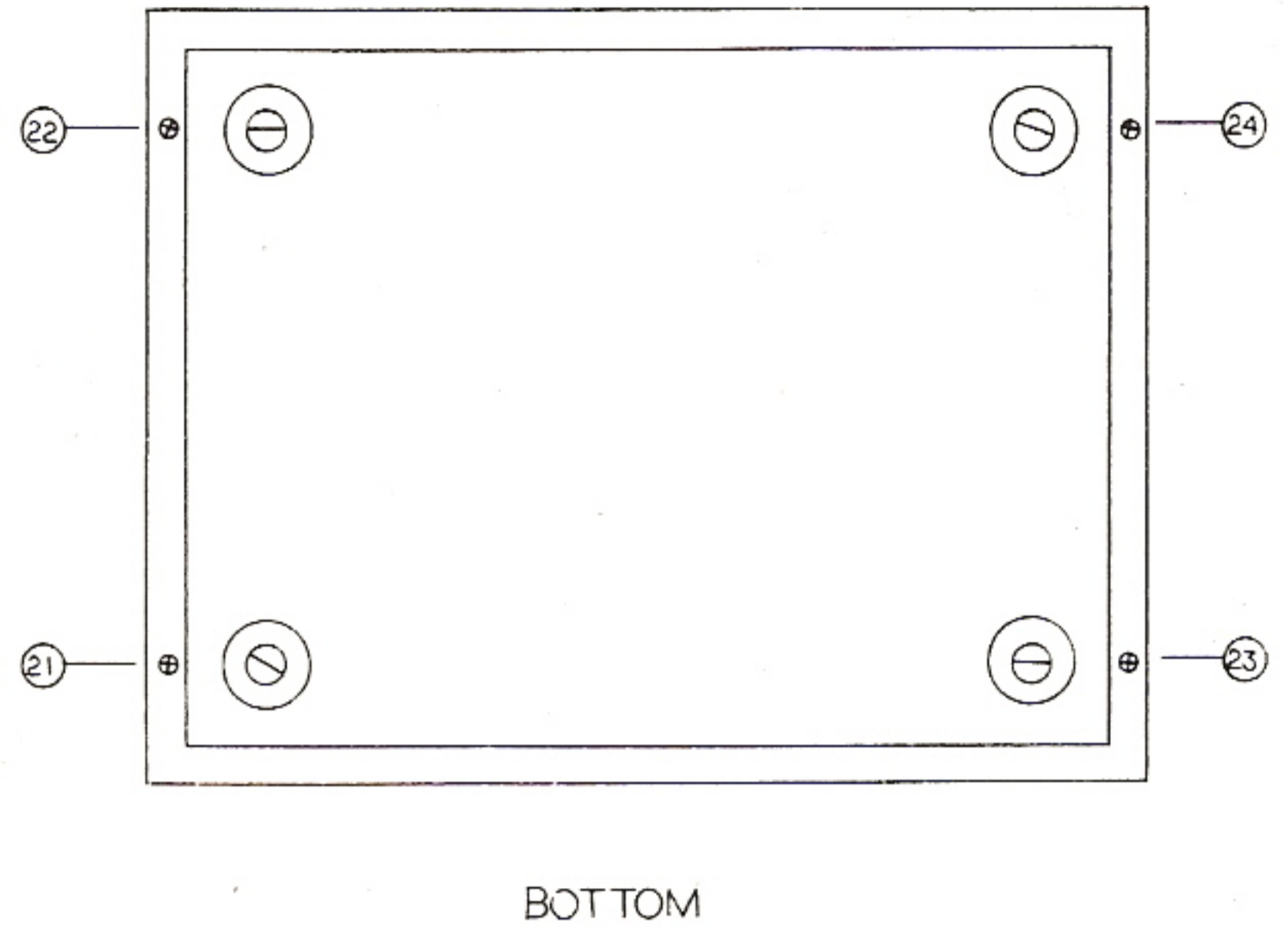
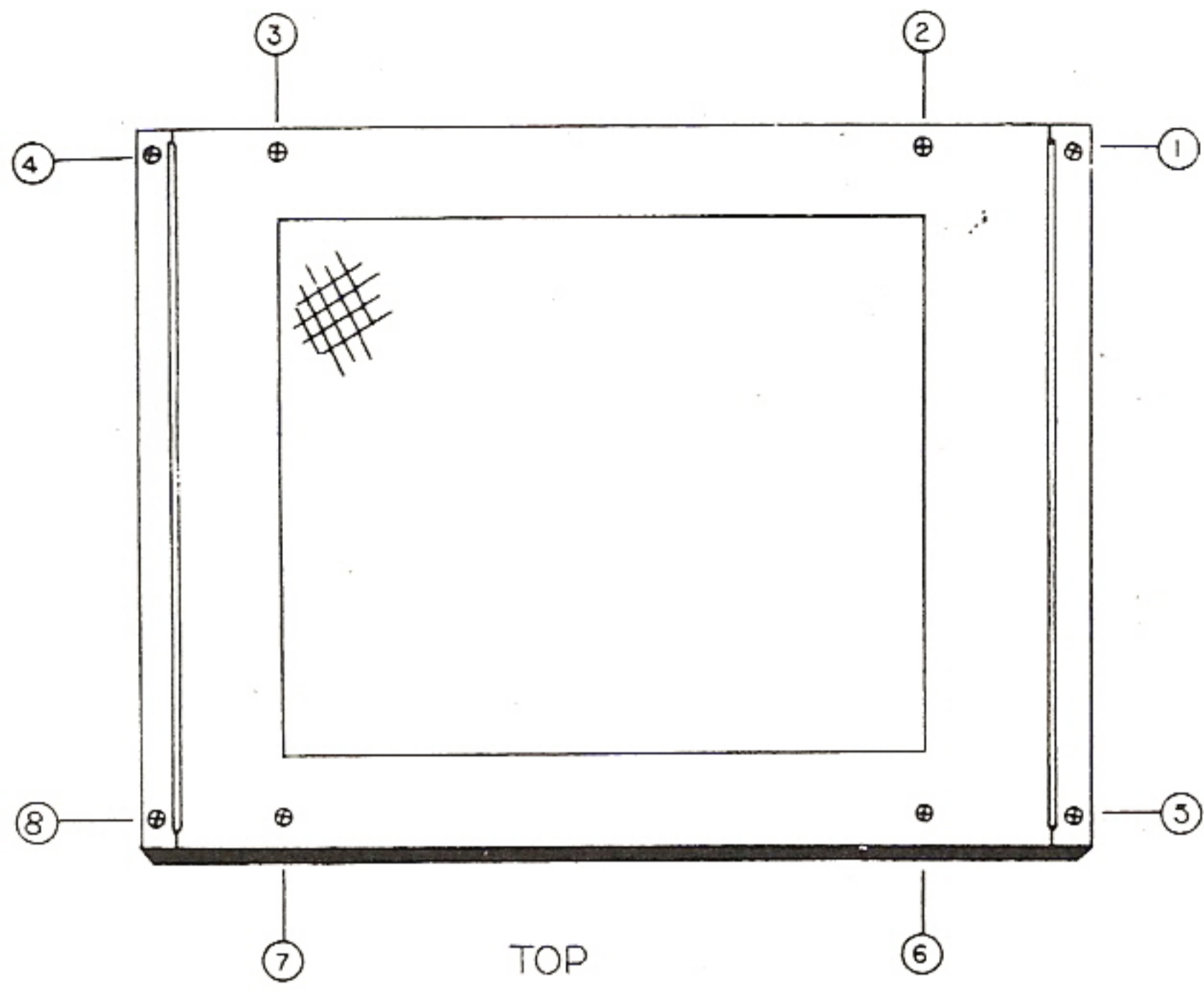


FIGURE 4. DISSASSEMBLING YOUR AMPLIFIER.



NOTE
SCREWS 19 AND 20
ARE LOCATED ON THE
BOTTOM OF THIS
SURFACE.

