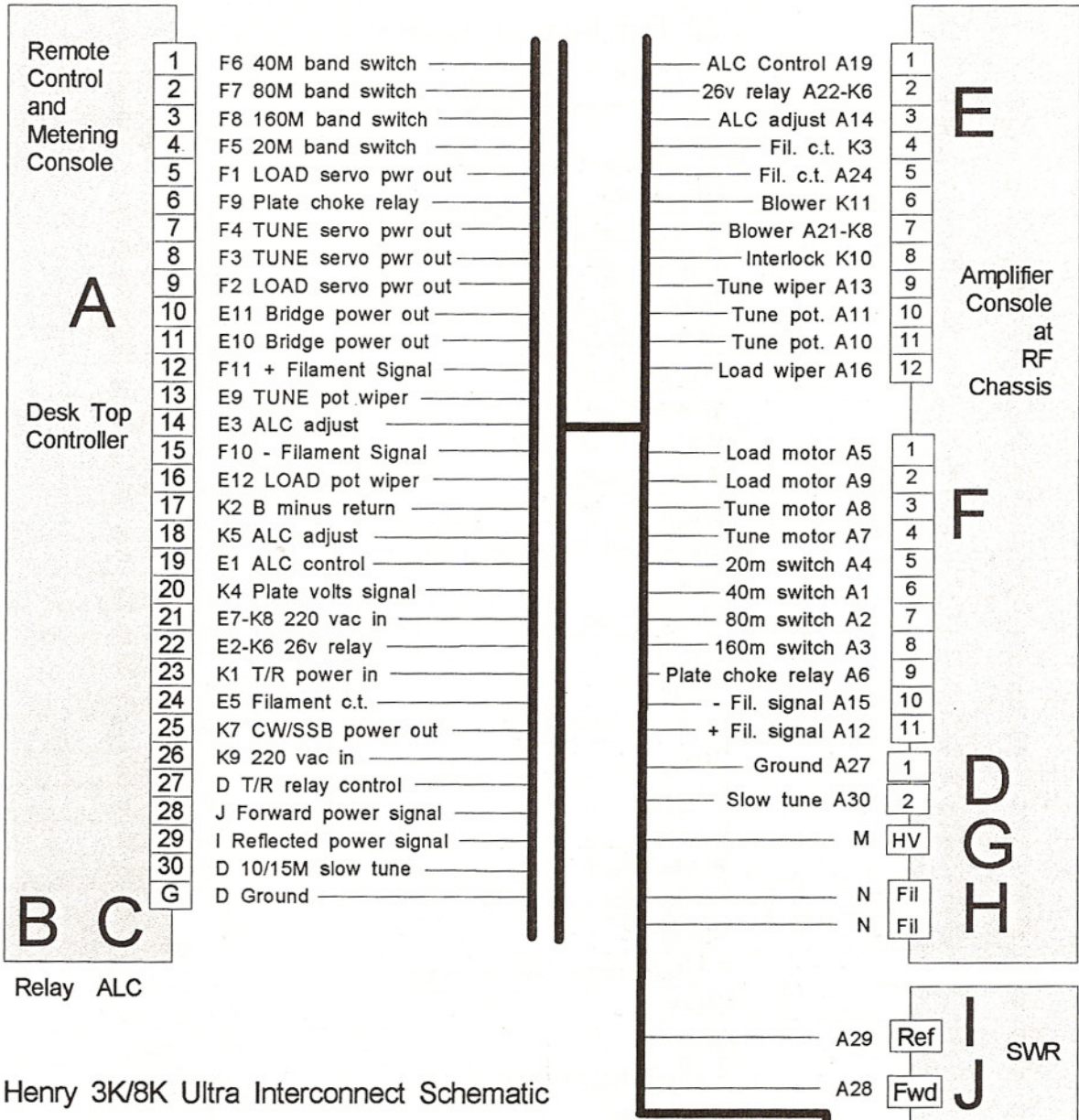
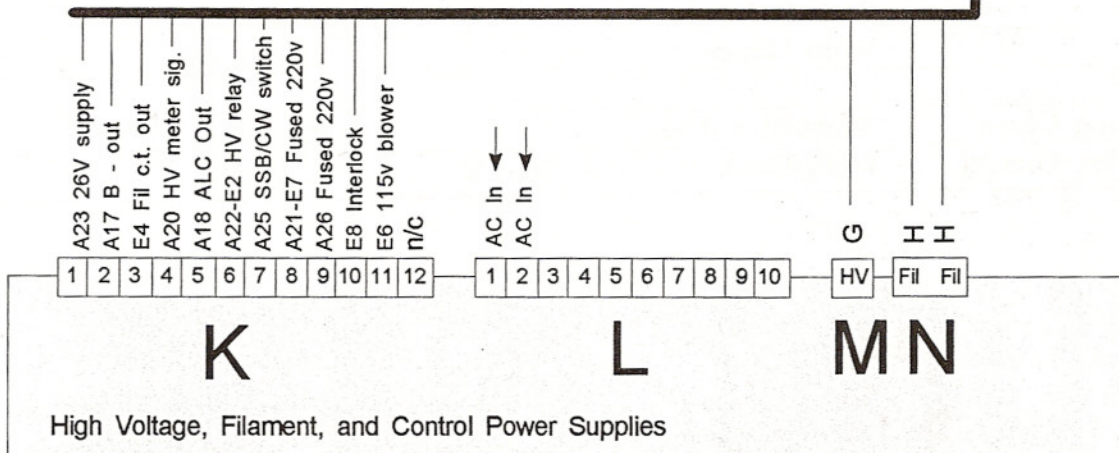


HENRY 3K/8K ULTRA OPERATING AND MAINTENANCE MANUAL



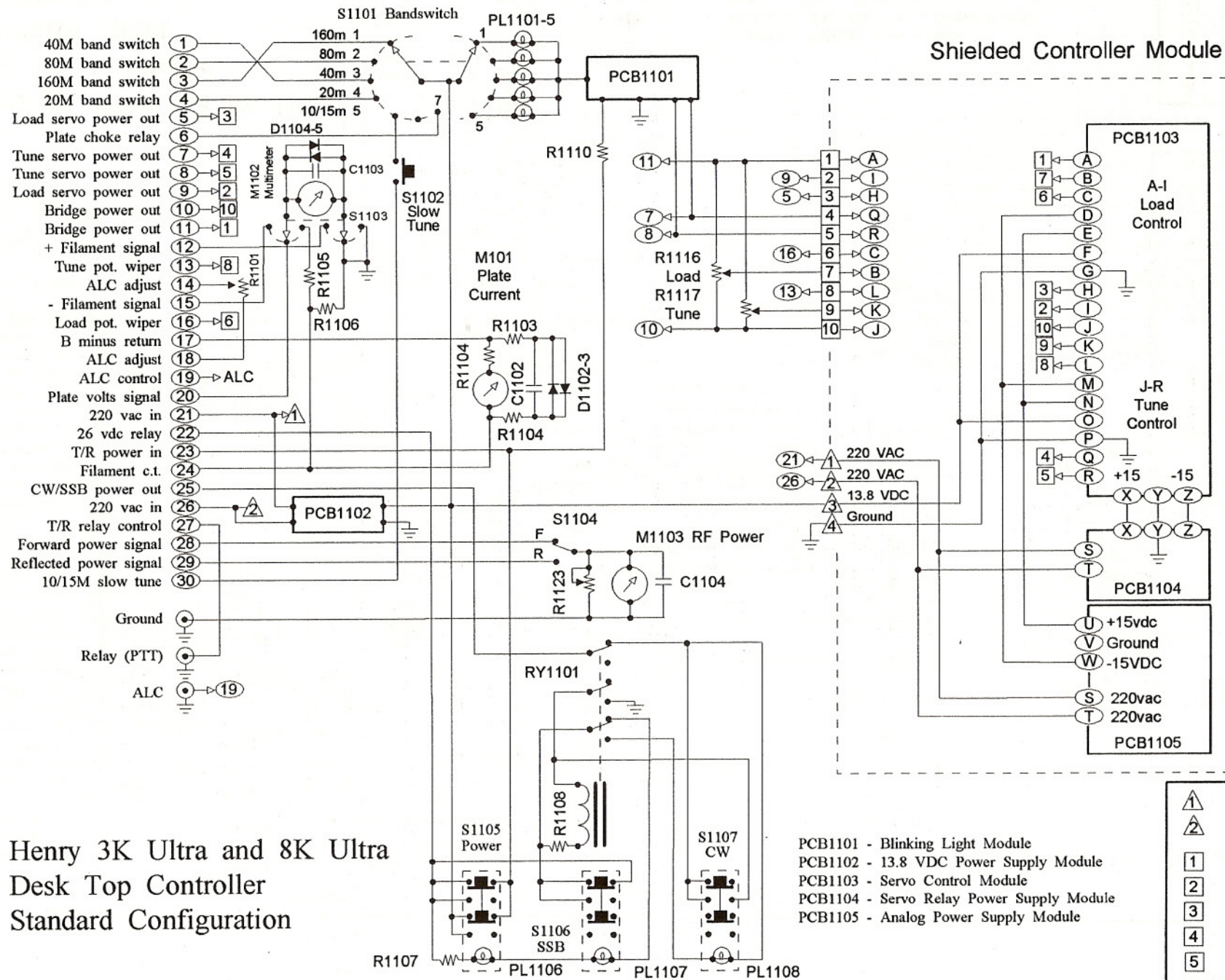
Henry 3K/8K Ultra Interconnect Schematic



High Voltage, Filament, and Control Power Supplies

Henry 3K Ultra and 8K Ultra Control Cable Pin Wiring
30 Pin Female Socket (S330CCT)

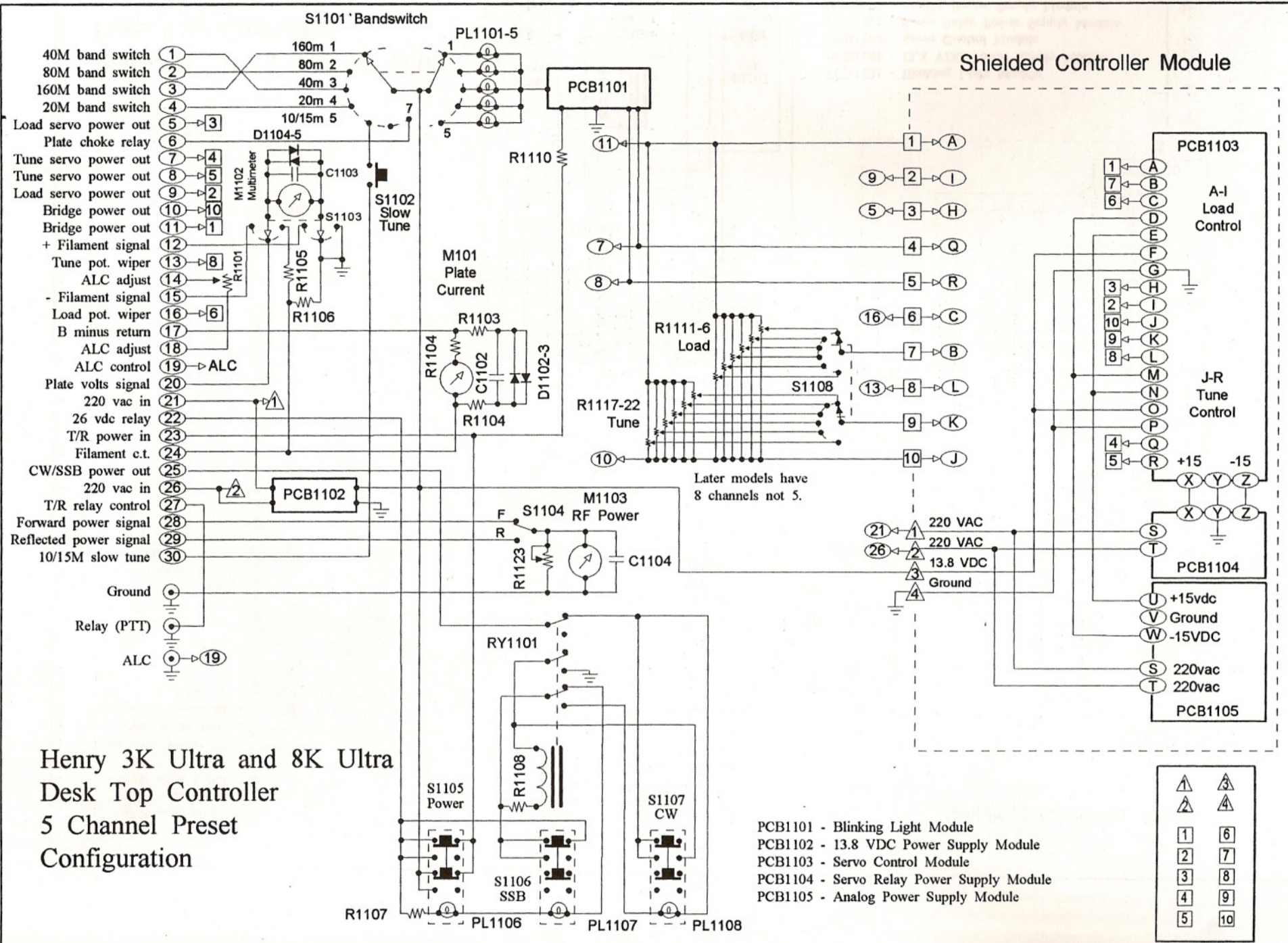
Pin Number	Color	Description
Pin 1	White/Blue	16 gauge
Pin 2	White/Violet	16 gauge
Pin 3	White/Grey	16 gauge
Pin 4	White/Black/Violet	16 gauge
Pin 5	White/Black/Grey	16 gauge
Pin 6	White/Black/Brown	16 gauge
Pin 7	White/Black/Blue	16 gauge
Pin 8	White/Brown/Red	16 gauge
Pin 9	White/Black/Red	16 gauge
Pin 10	Black Coax (conductor)	Coax
Pin 11	Black/Red Coax (conductor)	Coax
Pin 12	Blue	22 gauge
Pin 13	Black/Green Coax (conductor)	Coax
Pin 14	Green	22 gauge
Pin 15	White	22 gauge
Pin 16	Black/Yellow Coax (conductor)	Coax
Pin 17	Brown	22 gauge
Pin 18	Yellow	22 gauge
Pin 19	Orange	22 gauge
Pin 20	White/Green	22 gauge
Pin 21	White/Black/Orange	16 gauge
Pin 22	Violet	22 gauge
Pin 23	White/Brown and White/Black	22 gauge x 2
Pin 24	Black	22 gauge
Pin 25	Grey	22 gauge
Pin 26	White/Black/Yellow	16 gauge
Pin 27	White/Red	22 gauge
Pin 28	Red	22 gauge
Pin 29	White/Yellow	22 gauge
Pin 30	White/Orange	22 gauge
RCA Plug Center	White/Black/Green	16 gauge
RCA Plug Ground	White/Black + 4 coax Shields	16 gauge



Henry 3K Ultra and 8K Ultra
Desk Top Controller
Standard Configuration

- PCB1101 - Blinking Light Module
- PCB1102 - 13.8 VDC Power Supply Module
- PCB1103 - Servo Control Module
- PCB1104 - Servo Relay Power Supply Module
- PCB1105 - Analog Power Supply Module

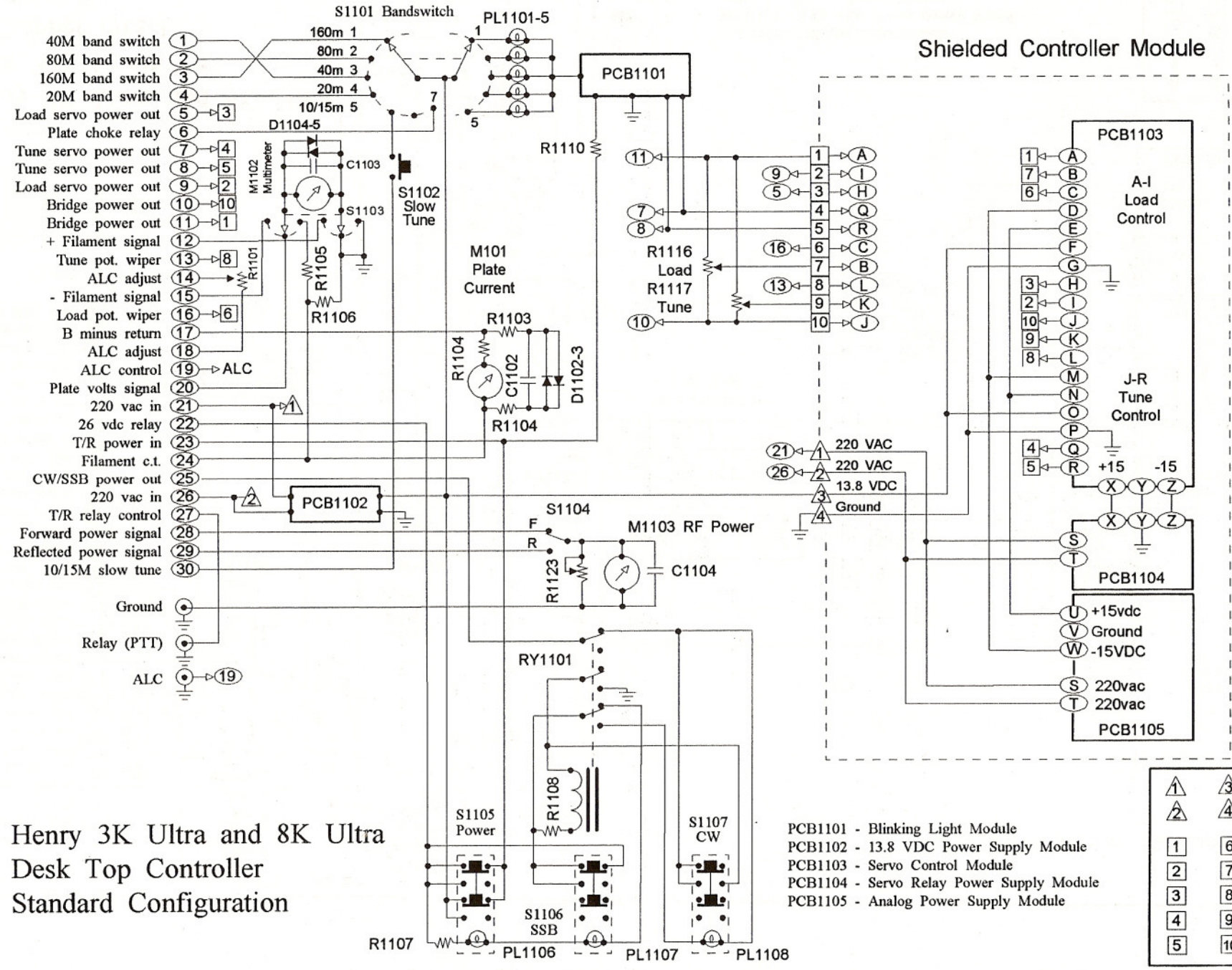
⚠	⚡
⚠	⚡
1	6
2	7
3	8
4	9
5	10



Henry 3K Ultra and 8K Ultra
Desk Top Controller
5 Channel Preset
Configuration

- PCB1101 - Blinking Light Module
- PCB1102 - 13.8 VDC Power Supply Module
- PCB1103 - Servo Control Module
- PCB1104 - Servo Relay Power Supply Module
- PCB1105 - Analog Power Supply Module

⚠	⚠
⚠	⚠
1	6
2	7
3	8
4	9
5	10



Henry 3K Ultra and 8K Ultra
Desk Top Controller
Standard Configuration

- PCB1101 - Blinking Light Module
- PCB1102 - 13.8 VDC Power Supply Module
- PCB1103 - Servo Control Module
- PCB1104 - Servo Relay Power Supply Module
- PCB1105 - Analog Power Supply Module

⚠	⚡
⚡	⚡
1	6
2	7
3	8
4	9
5	10

HENRY 3K/8K ULTRA OPERATING AND MAINTENANCE MANUAL

Parts List for 3K Ultra Desk Top Controller

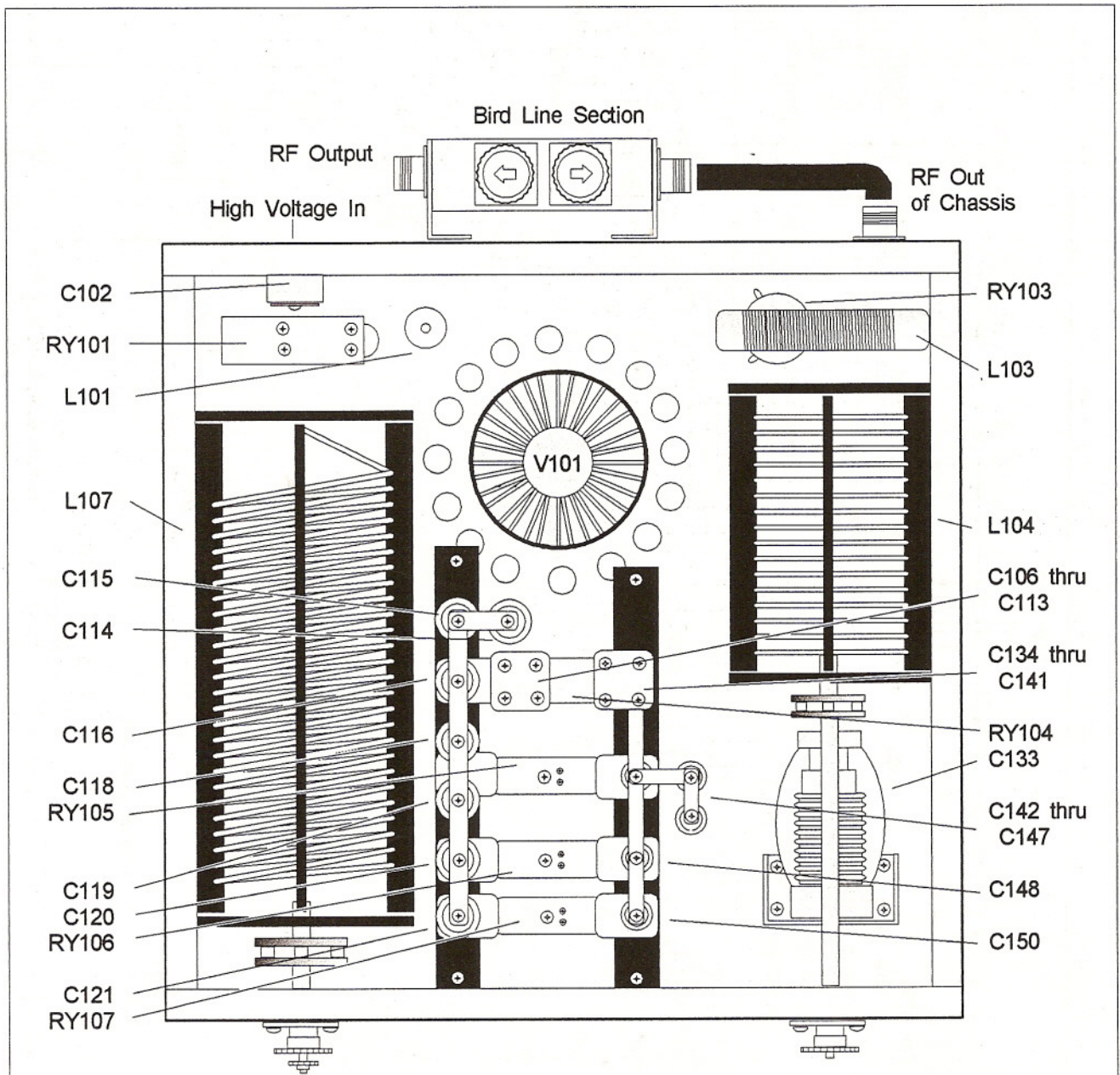
C1101-3	Capacitor: Ceramic disc, 0.1uf, 50 volt.	Centralab CK104
R1101	Potentiometer: 100K ohm, 5 watt, 5%.	Resistor
R1102-3	Potentiometer: 10K ohm, 2 watt, 5%, 10T.	Resistor
R1104	Resistor: Carbon, 150 ohm, 1 watt, 5%.	Resistor
R1105-6	Resistor: Carbon, 0.1 ohm, 1 watt, 5%.	Resistor
R1107	Resistor: Carbon, 470 ohm, 2 watt, 5%.	Resistor
R1108	Resistor: Carbon, 0.51 ohm, 1 watt, 5%.	Resistor
R1110-12	Resistor: Carbon, 150 ohm, 2 watt, 5%.	Resistor
S1101	Switch: Band, dual ceramic, position.	Centralab 2510/PS284
S1103	Switch: Meter, ceramic.	Centralab PA1003
S1104/PL1106	Switch: POWER light and switch.	Switchcraft L8940-125X
S1105/PL1107	Switch: SSB light and switch.	Switchcraft L8940-125X
S1106/PL1108	Switch: CW light and switch.	Switchcraft L8940-125X
S1107/PL1101	Switch: 160M light and switch.	Switchcraft L8940-125X
S1108/PL1102	Switch: 80M light and switch.	Switchcraft L8940-125X
S1109/PL1103	Switch: 40M light and switch.	Switchcraft L8940-125X
S1110/PL1104	Switch: 20M light and switch.	Switchcraft L8940-125X
S1111/PL1105	Switch: 15/10M light and switch.	Switchcraft L8940-125X
RY1101	Relay: TPDT, 12 VDC.	P&B KA14DY-12VDC
M1101	Meter: PLATE CURRENT, 0-1 ma.	Yokogawa 260300
M1102	Meter: MULTIMETER, 0-1 ma.	Yokogawa 260300
M1103	Meter: POWER, 0-30 ua.	Yokogawa 260300
PS1101	Power Supply: 7 amp, 13.8VDC, 220.	Astron Henry-7A-220
PS1102	Power Supply: +/-15 VDC IC supply.	Henry PSD15
PS1103	Assembly: Blinking light generator.	Henry 3KU-BLG
PS1104	Assembly: PEP wattmeter.	Henry 3KU-PEPWM
PS1105	Assembly: Wheatstone bridge.	Henry 3KU-WB

HENRY 3K/8K ULTRA OPERATING AND MAINTENANCE MANUAL

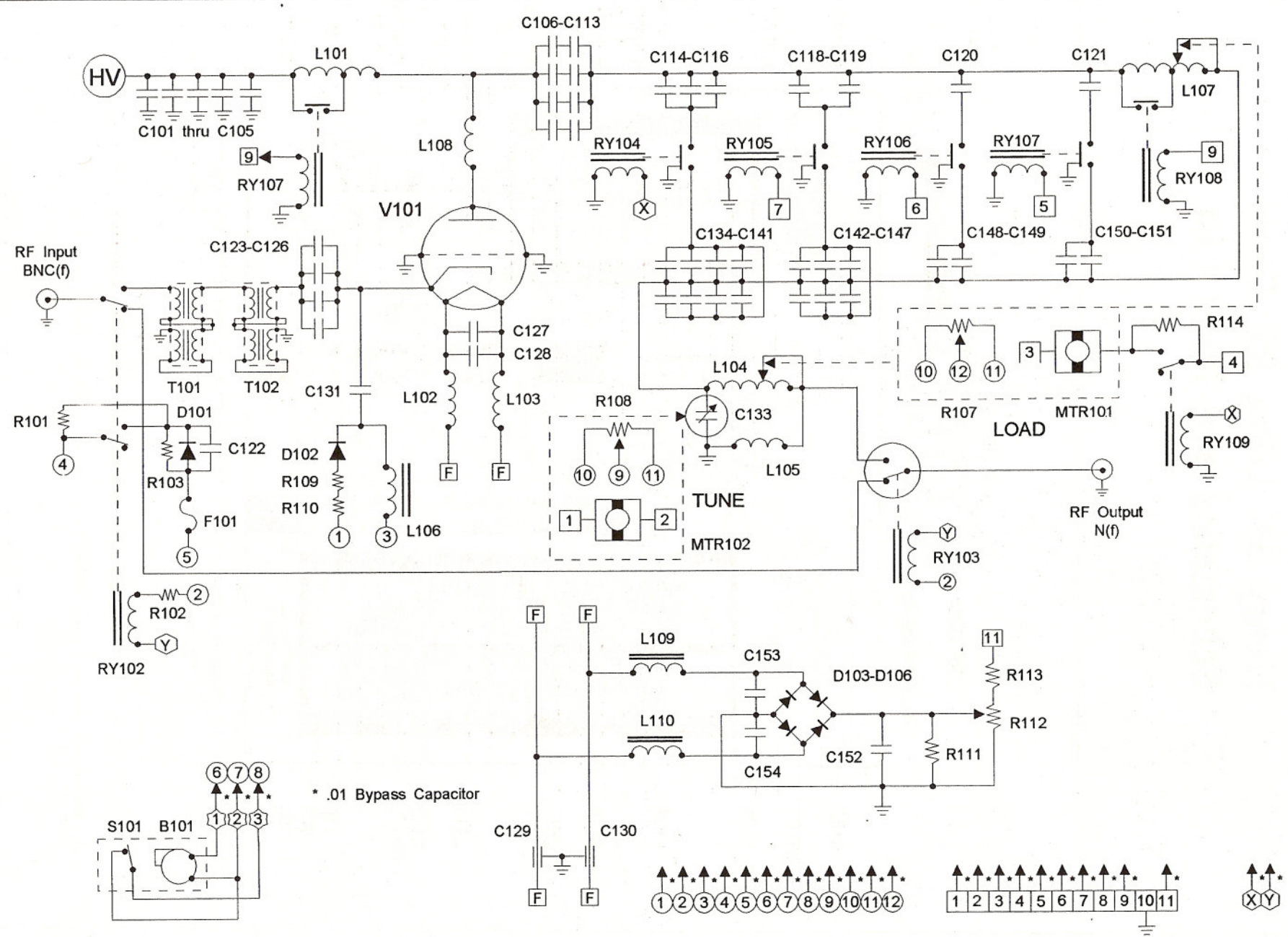
Parts List for 8K Ultra Desk Top Controller

C1101-3	Capacitor: Ceramic disc, 0.1uf, 50 volt.	Centralab CK104
R1101	Potentiometer: 100K ohm, 5 watt, 5%.	Resistor
R1102-3	Potentiometer: 10K ohm, 2 watt, 5%, 10T.	Resistor
R1104	Resistor: Carbon, 150 ohm, 1 watt, 5%.	Resistor
R1105-6	Resistor: Carbon, 0.1 ohm, 1 watt, 5%.	Resistor
R1107	Resistor: Carbon, 470 ohm, 2 watt, 5%.	Resistor
R1108	Resistor: Carbon, 0.51 ohm, 1 watt, 5%.	Resistor
R1110	Resistor: Carbon, 150 ohm, 2 watt, 5%.	Resistor
R1111-R1122	Potentiometer: 10K ohm, 2 watt, 5%, 10T.	Resistor
S1101	Switch: Band, dual ceramic, position.	Centralab 2510/PS284
S1102	Switch: Slow tune.	Switchcraft L8940-125X
S1103	Switch: Meter, phenolic.	Centralab PA1003
S1104	Switch: FWD/REF power switch.	Toggle switch
S1105/PL1106	Switch: POWER light and switch.	Switchcraft L8940-125X
S1106/PL1107	Switch: SSB light and switch.	Switchcraft L8940-125X
S1107/PL1108	Switch: CW light and switch.	Switchcraft L8940-125X
PL1101	Switch: 160M light and switch.	Switchcraft L8940-125X
PL1102	Switch: 80M light and switch.	Switchcraft L8940-125X
PL1103	Switch: 40M light and switch.	Switchcraft L8940-125X
PL1104	Switch: 20M light and switch.	Switchcraft L8940-125X
PL1105	Switch: 15/10M light and switch.	Switchcraft L8940-125X
RY1101	Relay: TPDT, 12 VDC.	P&B KA14DY-12VDC
M1101	Meter: PLATE CURRENT, 0-1 ma.	Yokogawa 260300
M1102	Meter: MULTIMETER, 0-1 ma.	Yokogawa 260300
M1103	Meter: POWER, 0-30 ua.	Yokogawa 260300
PS1101	Power Supply: 7 amp, 13.8VDC, 220.	Astron Henry-7A-220
PS1102	Power Supply: +/-15 VDC IC supply.	Henry PSD15
PS1103	Assembly: Blinking light generator.	Henry 3KU-BLG
PS1104	Assembly: PEP wattmeter.	Henry 3KU-PEPWM
PS1105	Assembly: Wheatstone bridge.	Henry 3KU-WB

Henry 3K Ultra RF Deck Schematics and Parts List



Henry 3K Ultra RF Chassis Layout



3K Ultra RF Deck Schematic