

ALPHA 89

Schematic Set

Caution! Read all schematic notes carefully

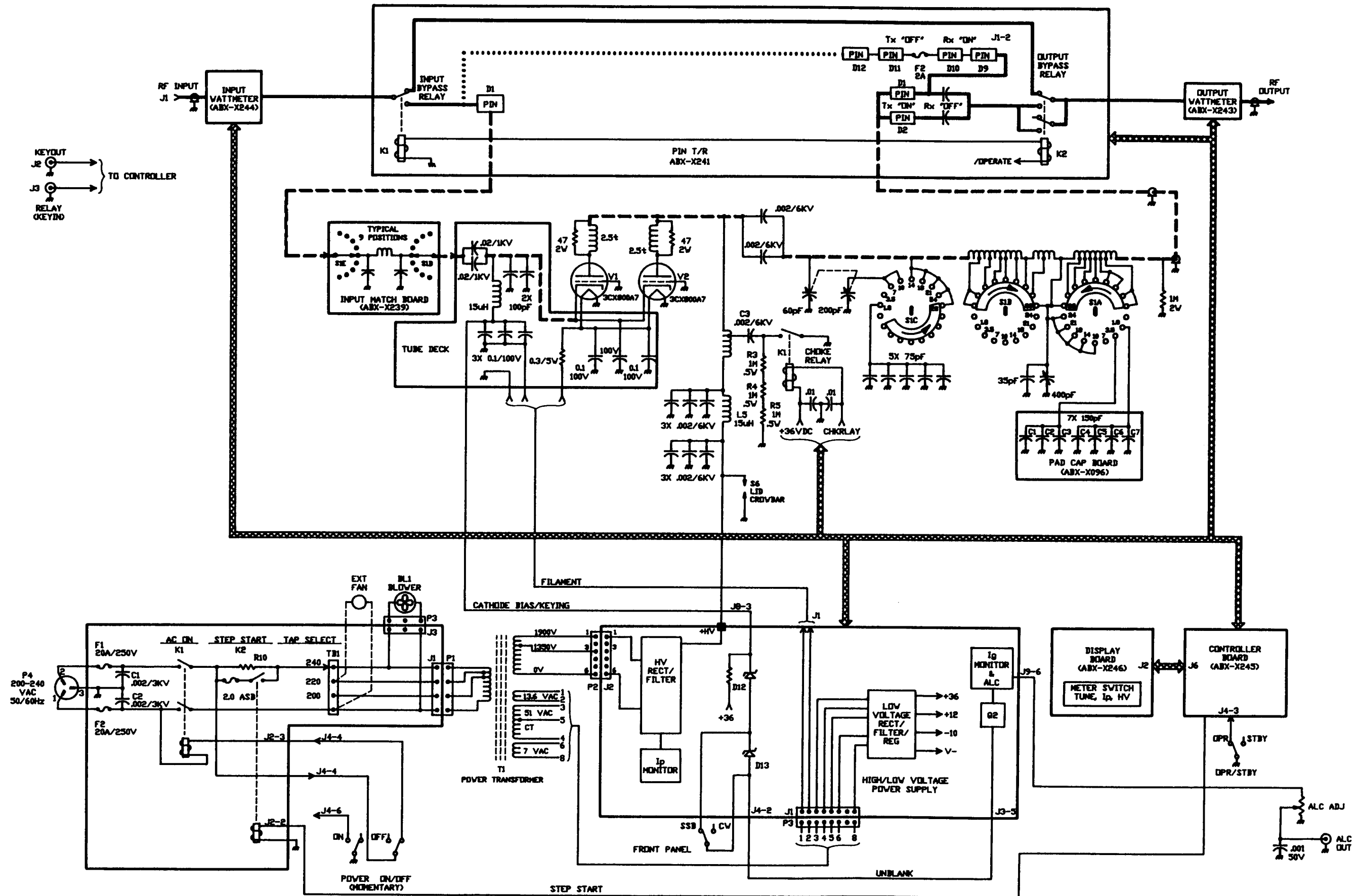
These diagrams are intended to be used in conjunction with the ZMX-X128 Operating Manual. All safety warnings described in the Operating Manual must be adhered to while using these diagrams.

ALPHA/POWER PART NO. ZMX-X138

Revision A

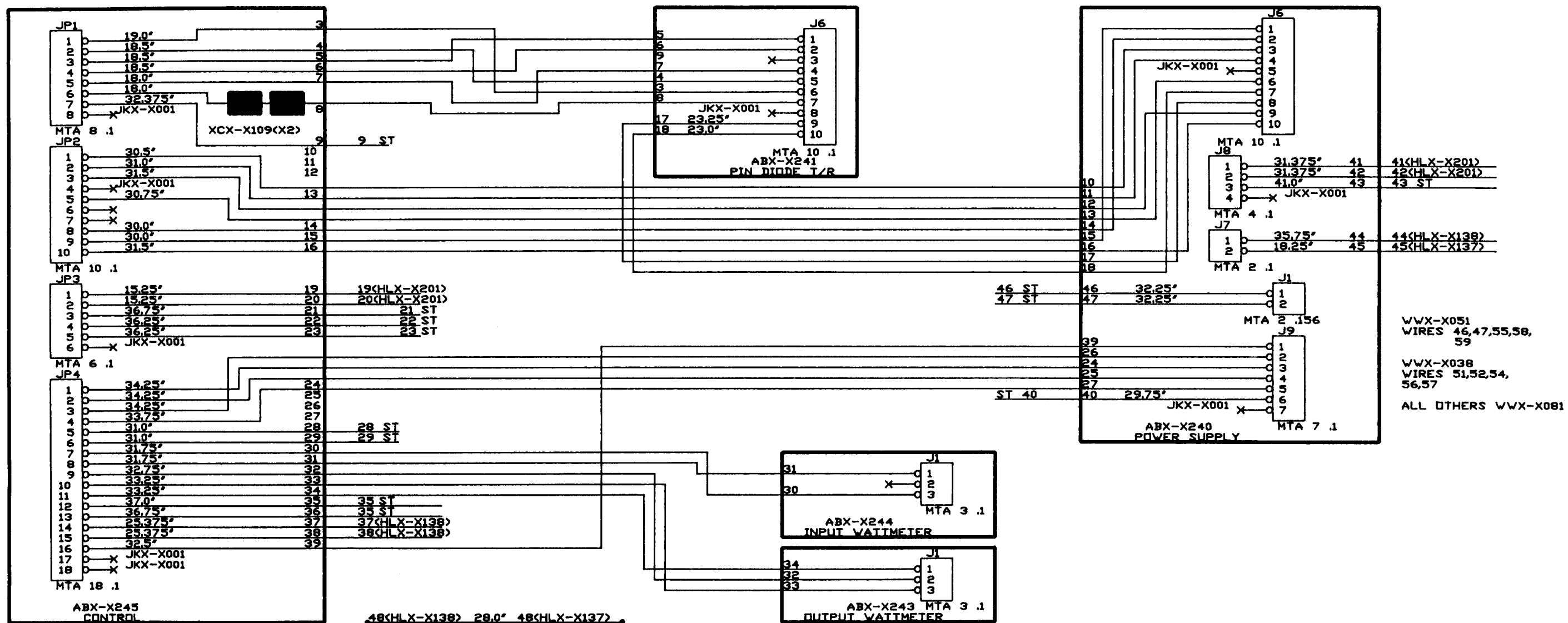
May 24th 1994

NOTES: UNLESS OTHERWISE SPECIFIED,
 1. ALL CAPACITOR VALUES ARE μF AND ALL RESISTOR VALUES ARE 1/4 WATT.
 2. ALL 'ABX' DESIGNATORS INDICATE PRINTED CIRCUIT BOARDS.

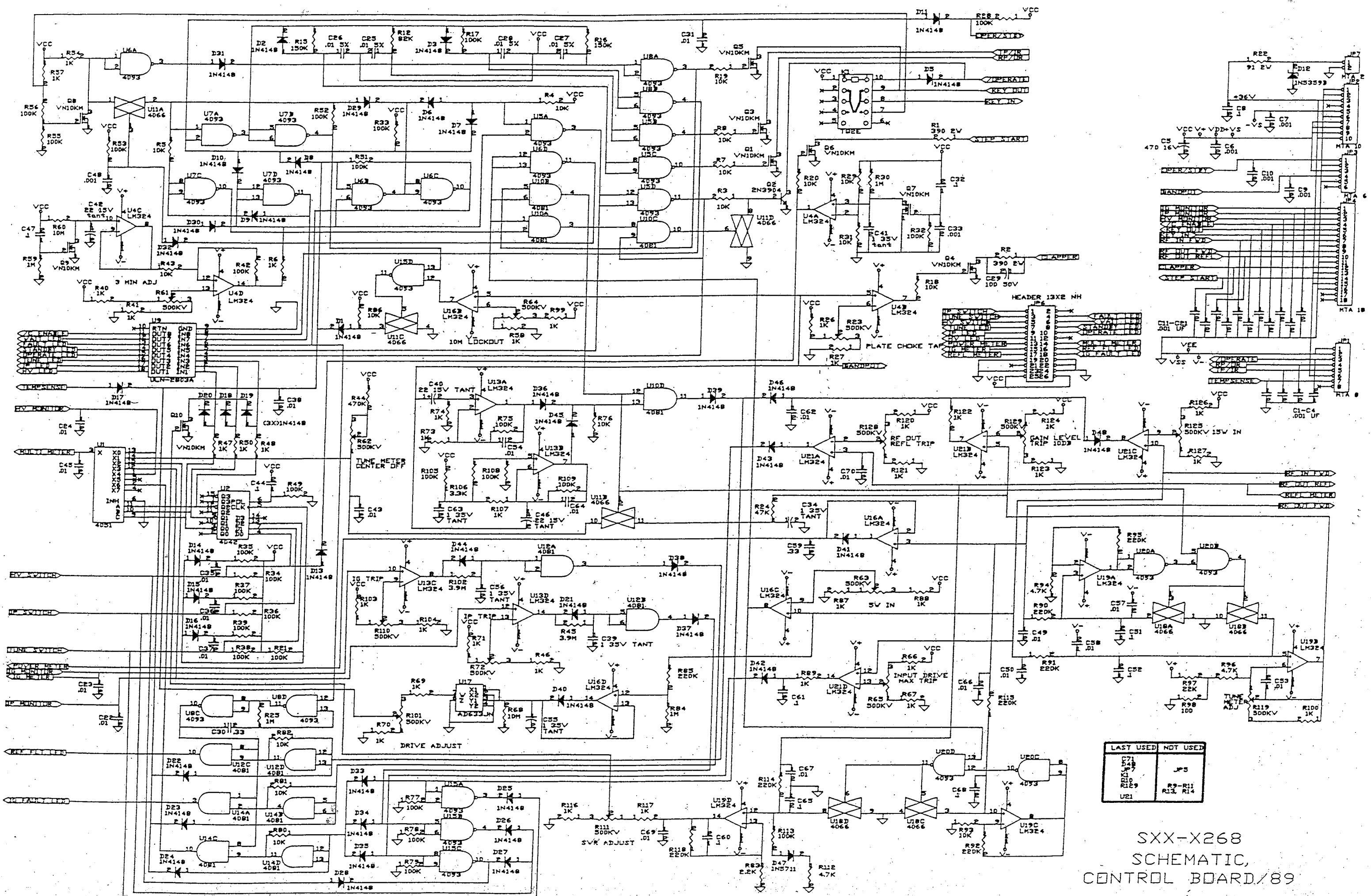


— Tx & Rx COMMON RF PATH
 - - - Tx ONLY RF PATH
 Rx ONLY RF PATH
 [Dotted Line] CONTROL BUSS

SXX-X297
 ALPHA 89
 SIMPLIFIED SCHEMATIC

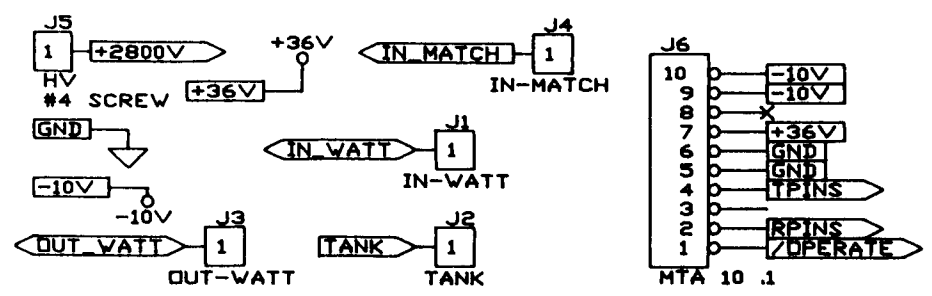
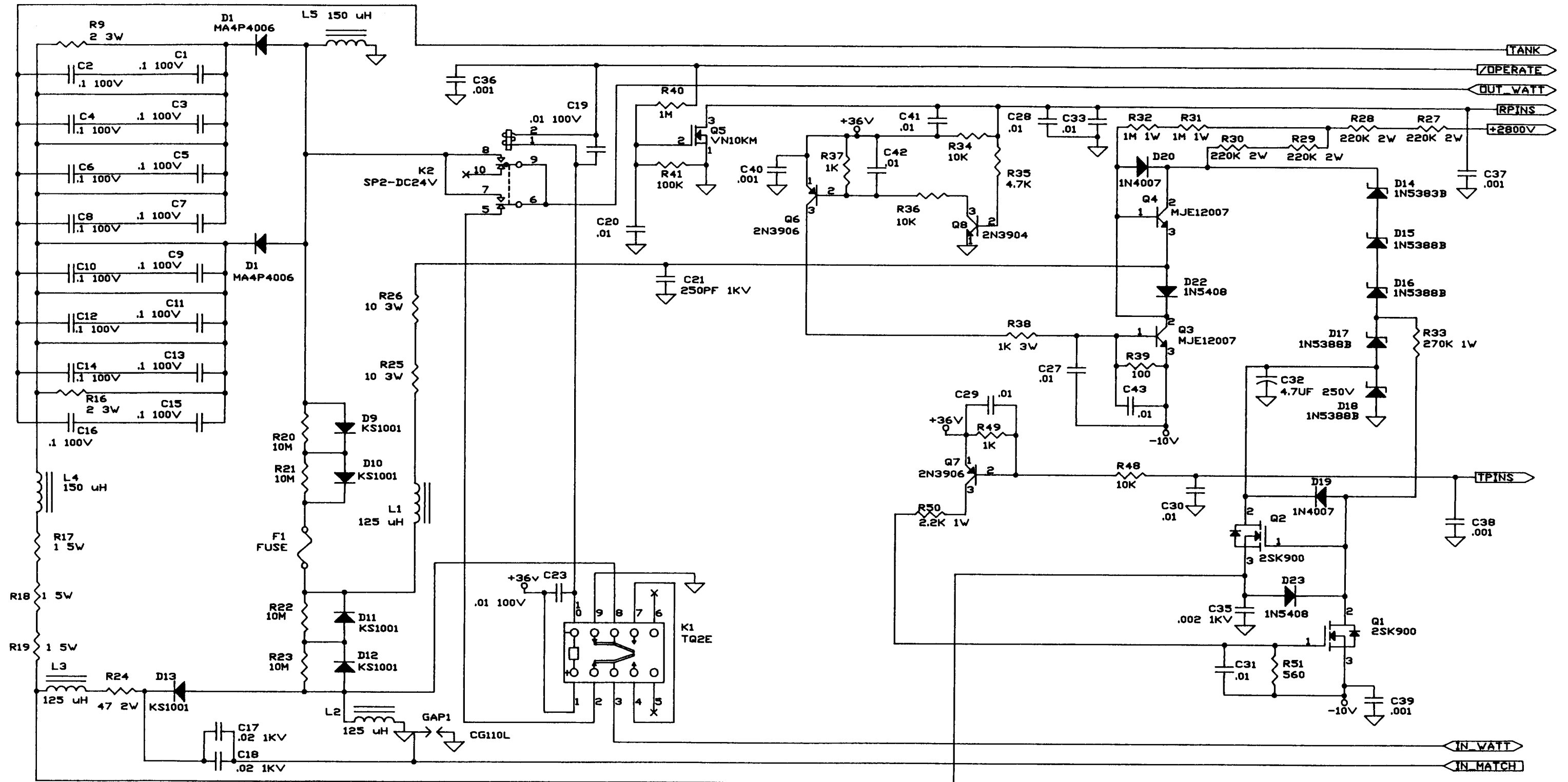


SXX-X273
 WIRE DIAGRAM,
 ALPHA 89 HARNESS



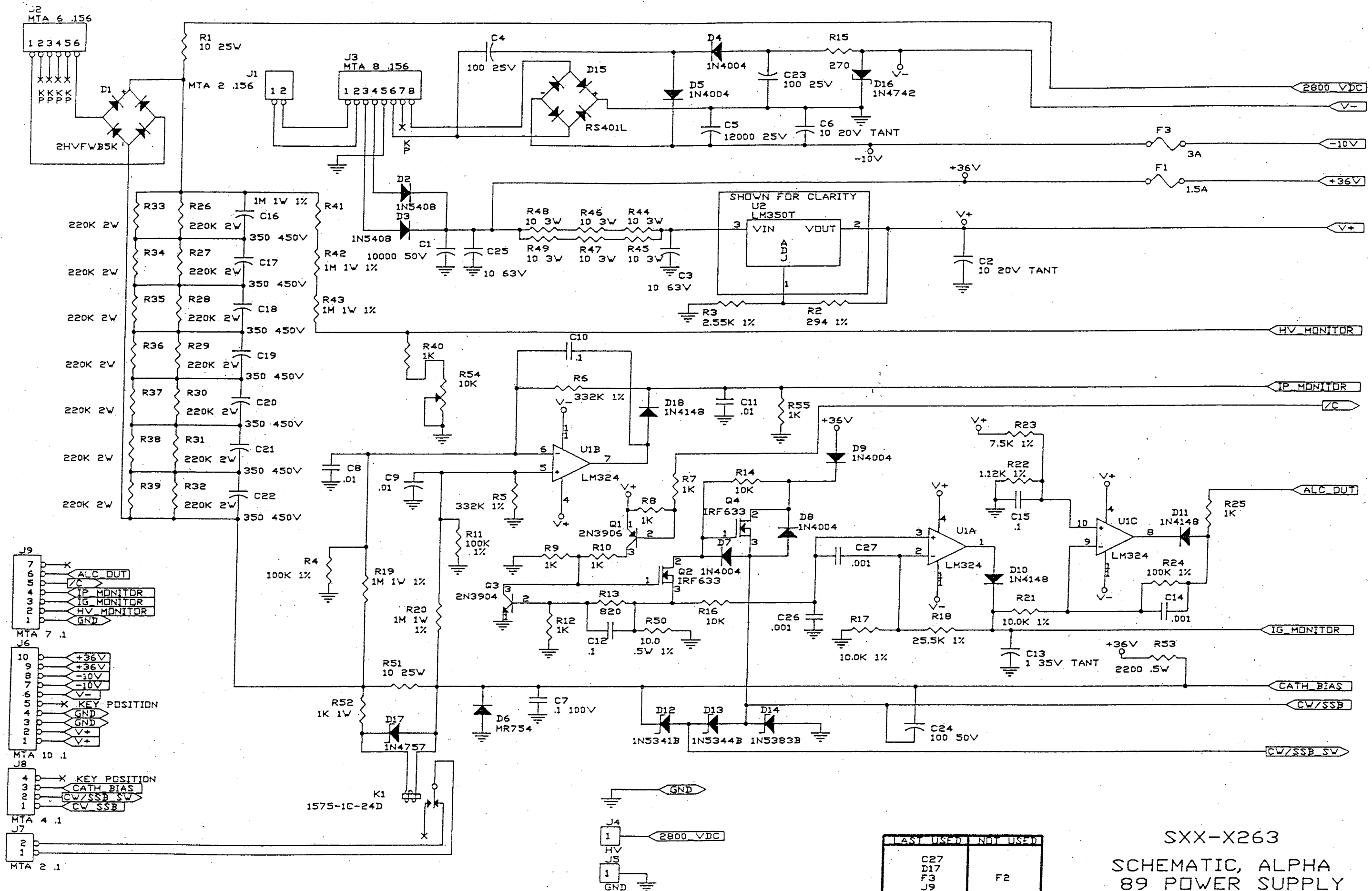
LAST USED		NOT USED	
C71	D48		JP5
D49	JP7		
R10	R109		R9-R11
R129			R13, R14
U21			

SXX-X268
SCHEMATIC,
CONTROL BOARD/89



LAST USED	NOT USED
C43	C22,24-26
D23	D21
F1	
GAP1	
J6	
K2	
L5	
Q8	
R55	R1-8,10-15
RT1	R42-47
U1	U/A

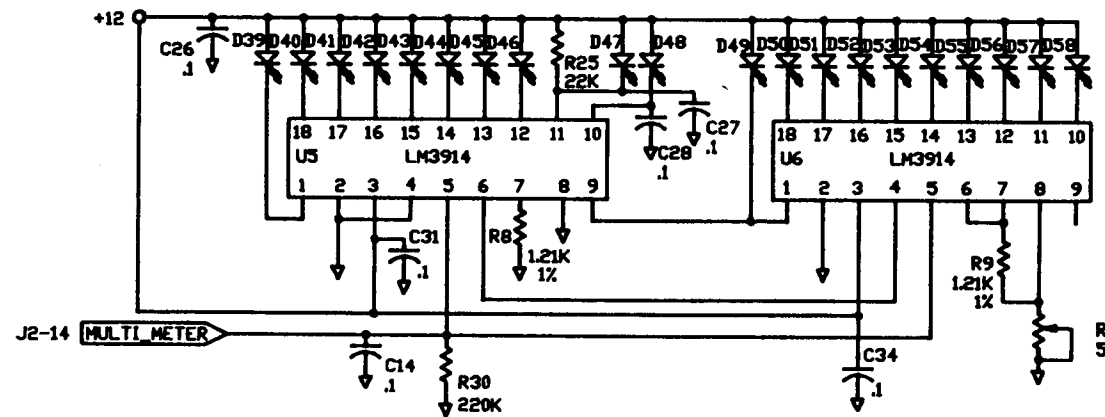
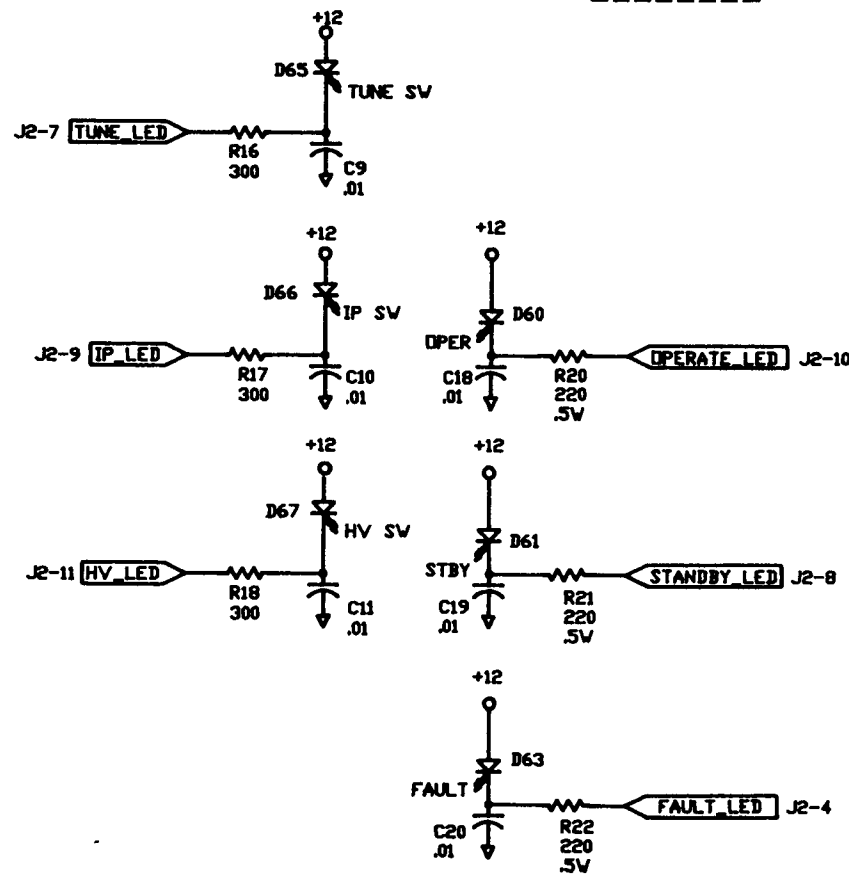
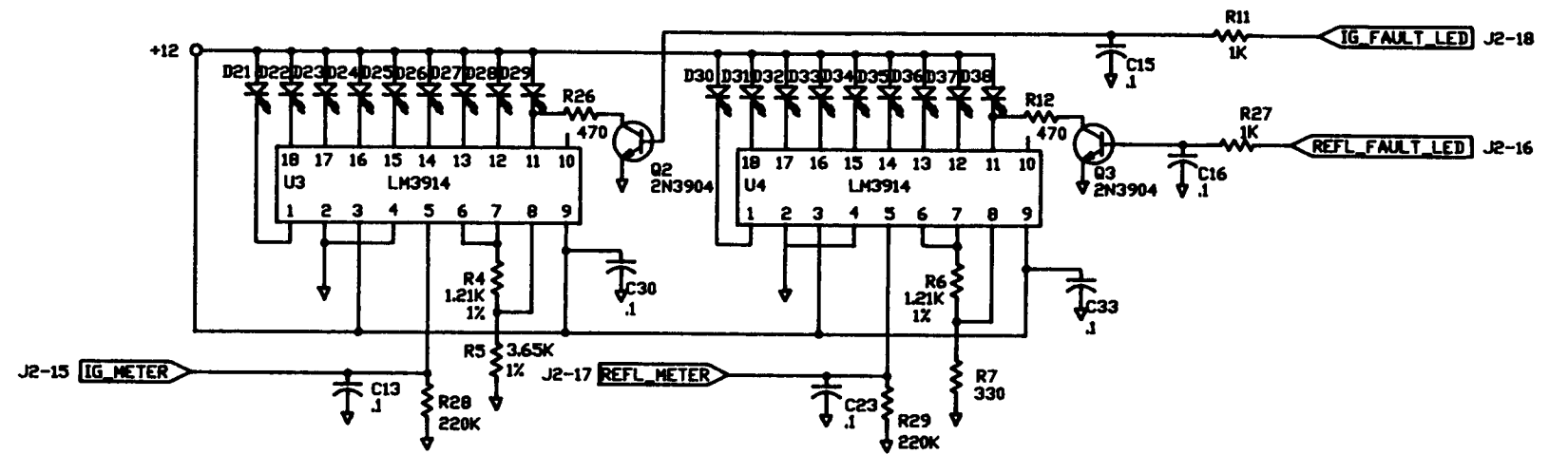
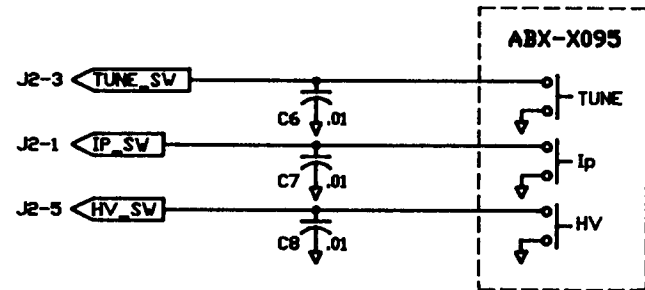
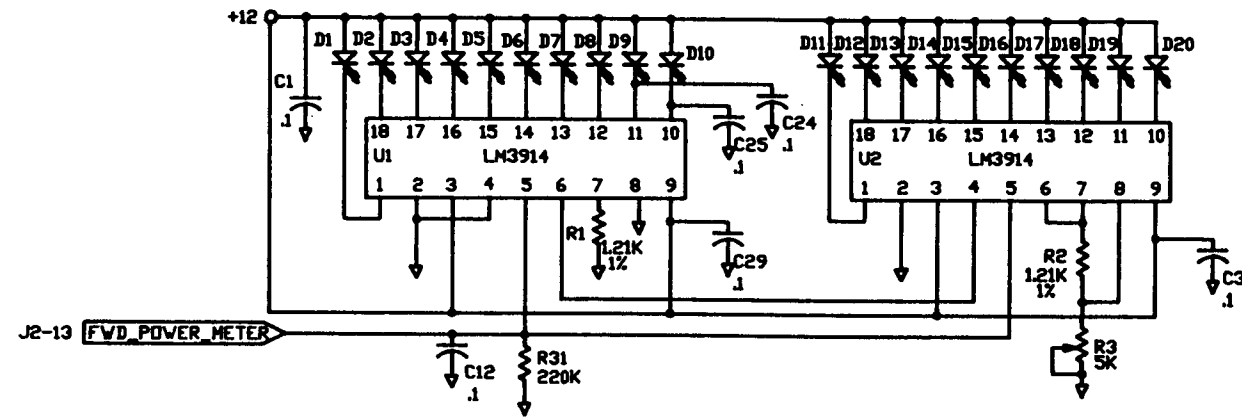
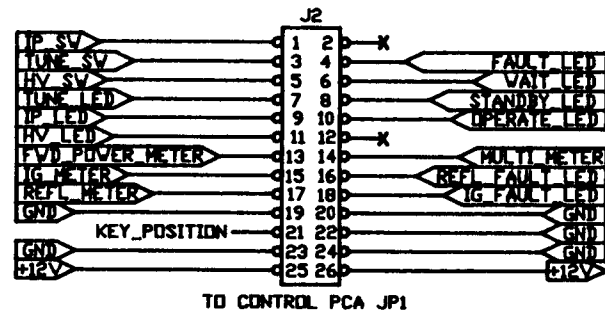
SXX-X264
SCHEMATIC, PIN
DIODE T/R BRD



LAST USED	NOT USED
C27	F2
D17	
F3	
J9	
K1	
Q4	
R53	
U2	

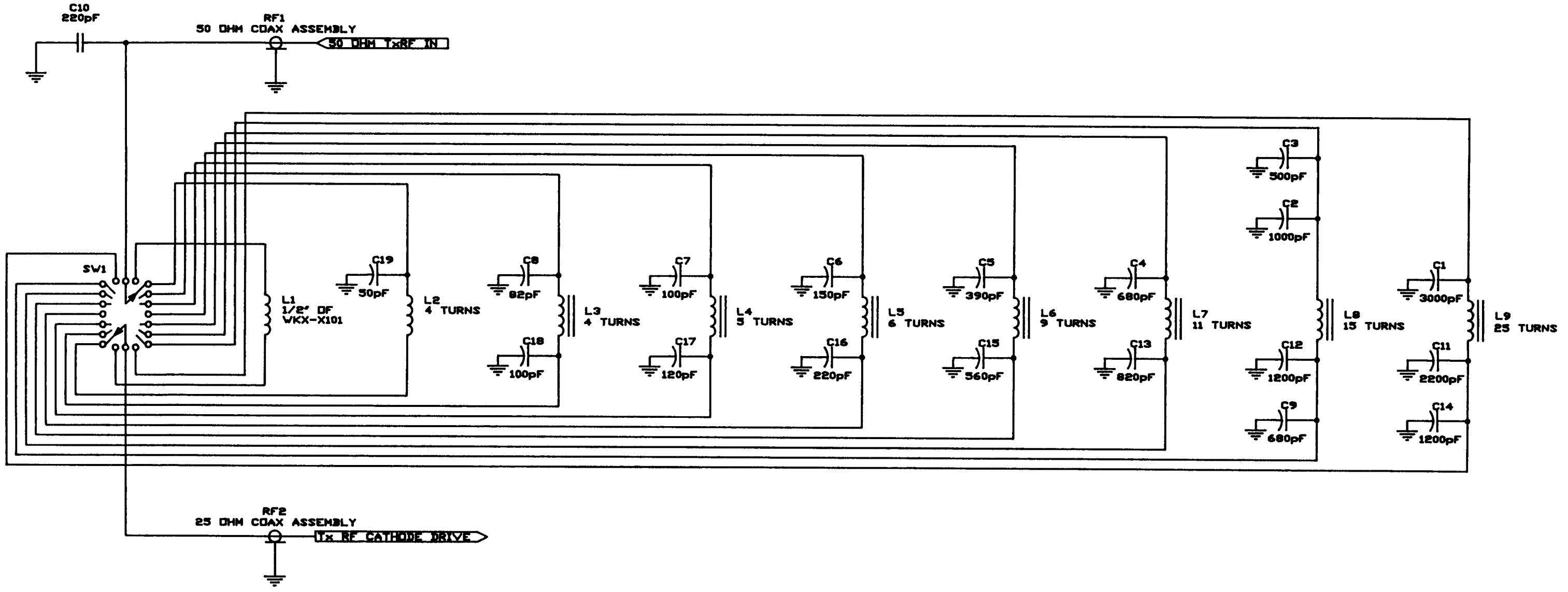
SXX-X263
SCHEMATIC, ALPHA
89 POWER SUPPLY

NOTES: UNLESS OTHERWISE SPECIFIED,
 1. CAPACITOR VALUES ARE uF.
 2. RESISTORS ARE 1/4W.



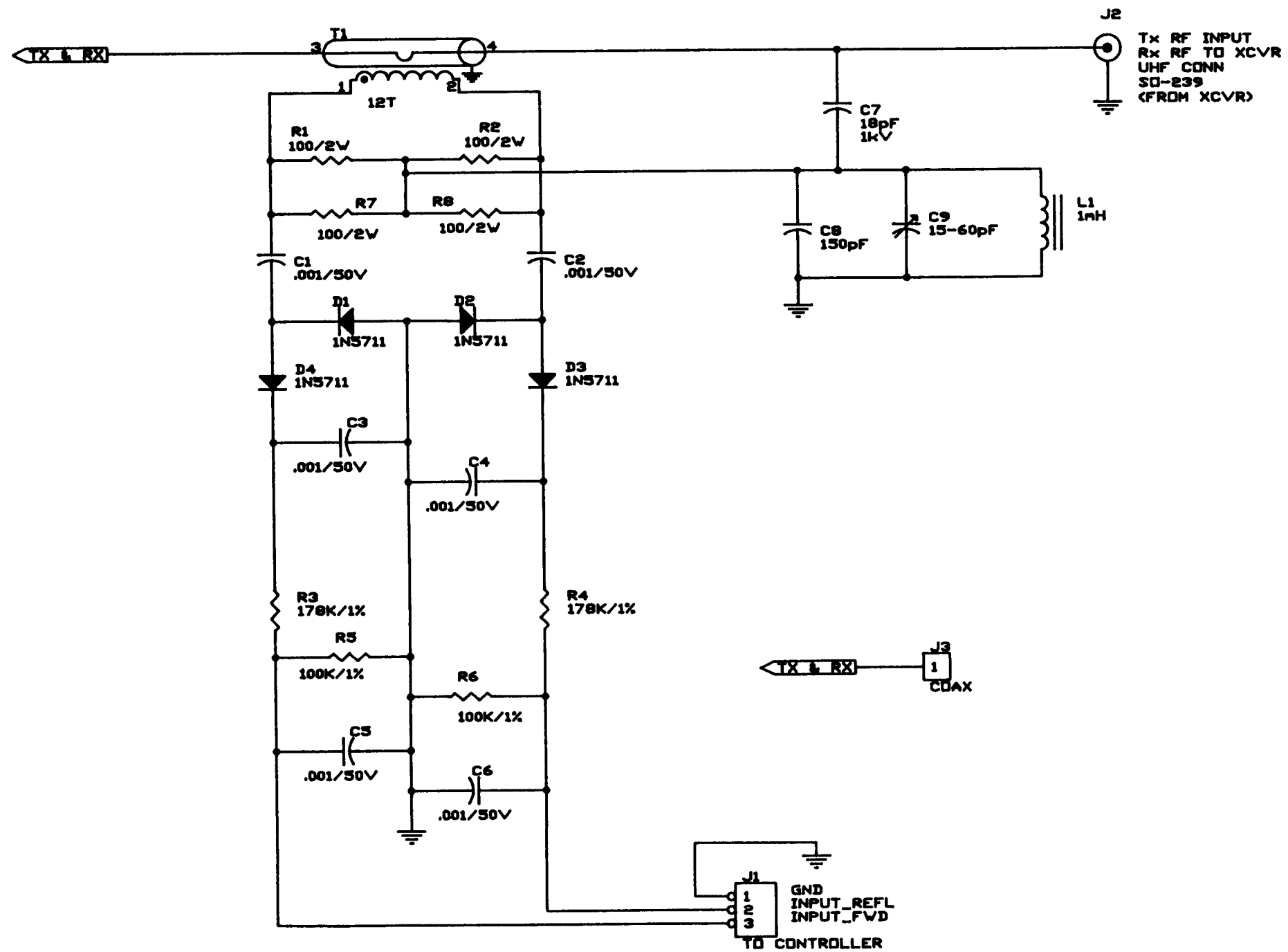
LAST USED	NOT USED
C34	C2-C5, C17, C22
D67	D59, D64
Q3	Q1
R31	R13-R15, R19, R24
U6	

NOTES: UNLESS OTHERWISE SPECIFIED,
 1. ALL CAPACITOR VALUES ARE IN (pF).
 ALL RESISTOR VALUES ARE 1/4 WATT.



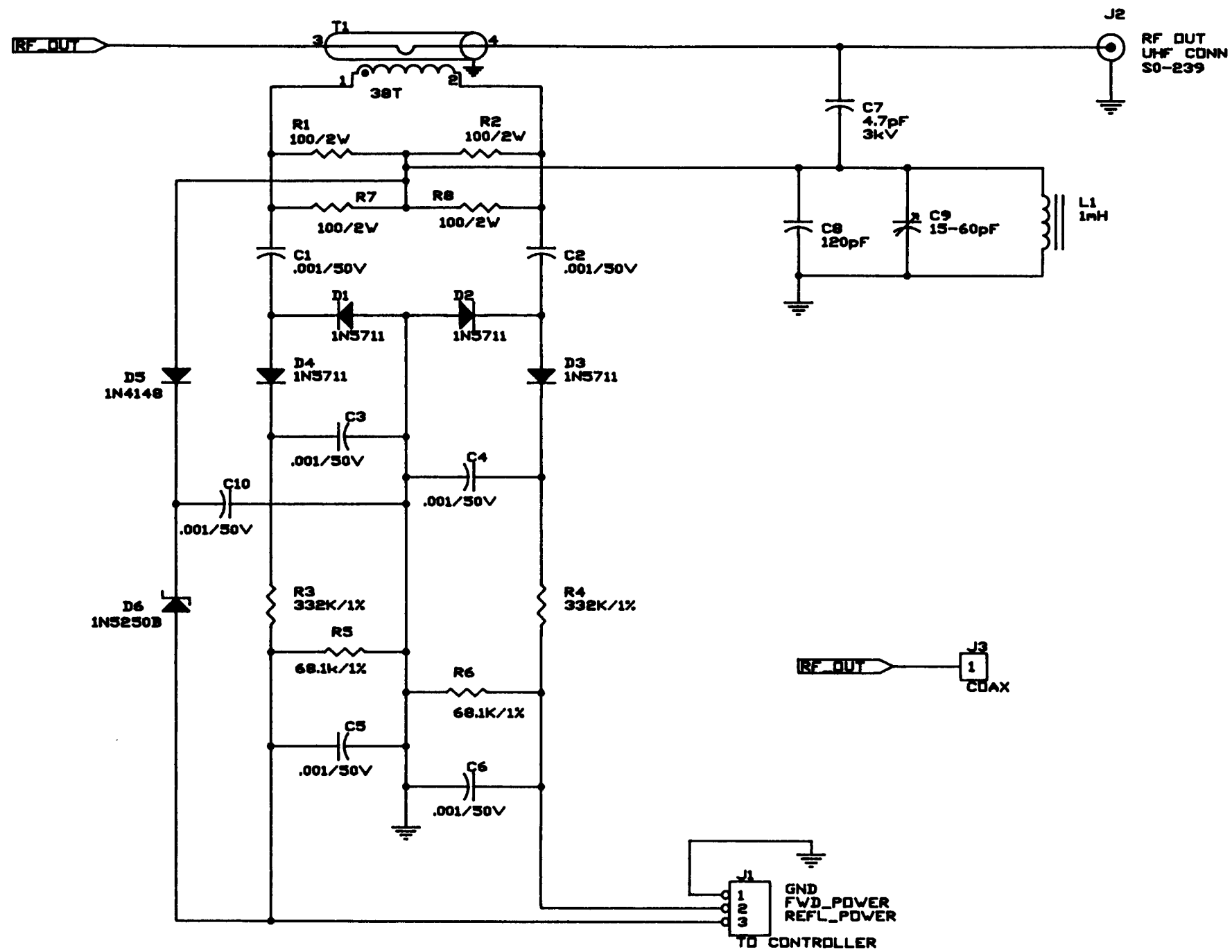
LAST USED
C19
L9
RF2
SW1

SXX-X262
 SCHEM, INPUT
 MATCHING NETWORK



LAST USED	NOT USED
C9	
D4	
J3	
L1	
R8	
T1	

SXX-X267
 SCHEMATIC,
 INPUT WATTMETER/89



LAST USED	NOT USED
C10	
D6	
J3	
L1	
R8	
T1	

SXX-X266
 SCHEMATIC,
 OUTPUT WATTMETER/89